

QUARTER-TURN VIBRATION RESISTANT STAINLESS STEEL 18 MM

This vibration resistant quarter-turn latch consists of acid-proof AISI 316 components. You design the latch to accommodate your needs by combining your choices of housing, nut, insert, washer, screw and cam. The latch can be delivered un-assembled, pre-assembled with enclosed cam or fully assembled.

Protection degree IP66 is achieved by using an O-ring on the insert and a PUR-gasket on the housing.



IP66

NEMA
4DIN EN
61373Integrated
PUR-gasket

MATERIAL

Cam: Stainless steel 304 or 316

Housing: Stainless steel 316

Insert: Stainless steel 316

Nut: Stainless steel 303 or 316

Screw: Stainless steel 304

Washer: Stainless steel 304

RELATED PRODUCTS

Similar products: 6-134a

Other materials: 2-020

Handles and knobs: 2-360

Keys: 2-372, 2-380, 2-370

Cams: 2-510, 2-520, 2-481, 2-491

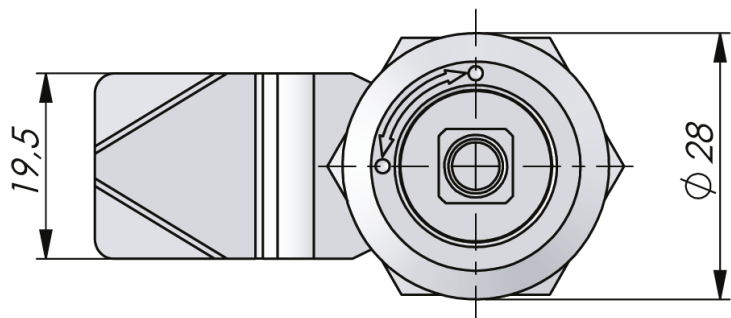
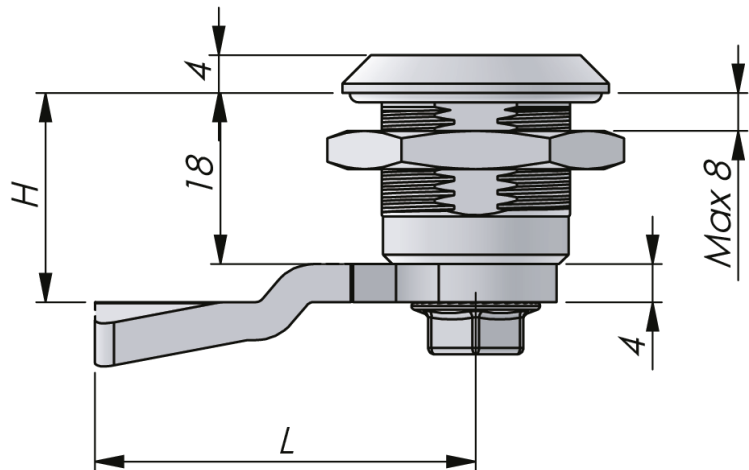
Use the Index Code at industrilas.com

TECHNICAL INFORMATION

Latch is supplied with screw with mechanical thread lock.

Cutout: COMBI

Standards: IP66, NEMA 4, DIN EN 61373



Industrilas
— When access counts —

Make your selections in each column to create your article number (AAAA-BCCDEF-HLL)

AAAA Housing		B Nut	CC Insert	D Material insert and housing	E Assembly	F Cam	HHLL H/L in mm							
2419	Stainless steel 316	3	SS 303	9	SS 316	6	IP66 PUR - not assembled	3	SS 304	0000	No cam			
			03				Square 7		0445	4 / 45				
			05				Square 8		0645	6 / 45				
		9	SS 316				08	Square 8 / M6	7	IP66 PUR - enclosed cam	9	SS 316	0845	8 / 45
							13	Triangle 6,5					1045	10 / 45
							14	Triangle 7					1245	12 / 45
							15	Triangle 8					1445	14 / 45
							16	Triangle 10					1645	16 / 45
							17	Triangle 10 / M5					1845	18 / 45
							22	Double Bit 3					2045	20 / 45
							24	Double Bit 5					2245	22 / 45
							26	Slotted					2445	24 / 45
													2645	26 / 45
													2845	28 / 45
													3045	30 / 45
		3245	32 / 45											
		3445	34 / 45											
		3645	36 / 45											
		3845	38 / 45											
		4045	40 / 45											
		4245	42 / 45											
		4445	44 / 45											
		4645	46 / 45											
		4845	48 / 45											
		5045	50 / 45											

